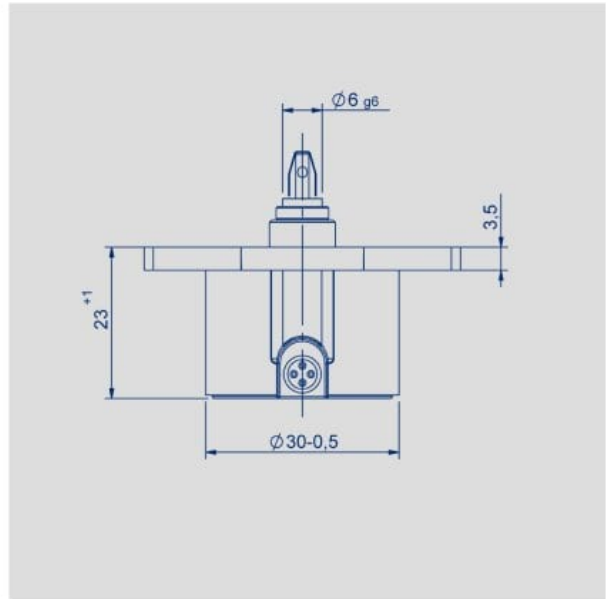


NOVOTURN
Multiturn Sensor
non-contacting

Series RSM-2800

**Special features**

- Non-contacting, magnetic
- Long life
- Electrical range 720° up to 5760° in 360°-steps available (2 to 16 turns)
- True-Power-On System: counts turns even when not powered. Patented non-volatile technology does not require gears or batteries
- Available with push-on coupling or marked shaft
- Easy mounting
- Protection class IP54 up to IP67
- One-channel or multi-channel
- Resolution up to 18 bit
- Linearity up to $\pm 0,03\%$

Applications

- Mechanical engineering
- Mobile machinery
- Driveline or steering systems
- Wire-actuated encoders
- Gate drives
- Motor sports

Multiturn sensors that use the GMR technology (giant magneto resistance), provide absolute position values, do not require any reference signals and need no power supply or buffer battery for detecting the revolutions. The fact that rotations are detected even unpowered and the sensor does not lose its position information during a power failure, makes the RSM-2800 with its diameter of only 28 mm an extremely compact real **True-Power-On rotary sensor**.

The sensor operates magnetically and thus contactless allowing an extremely long life.

The sensor is able to detect angular positions over 2 to 16 revolutions with a high resolution up to 18 bits.